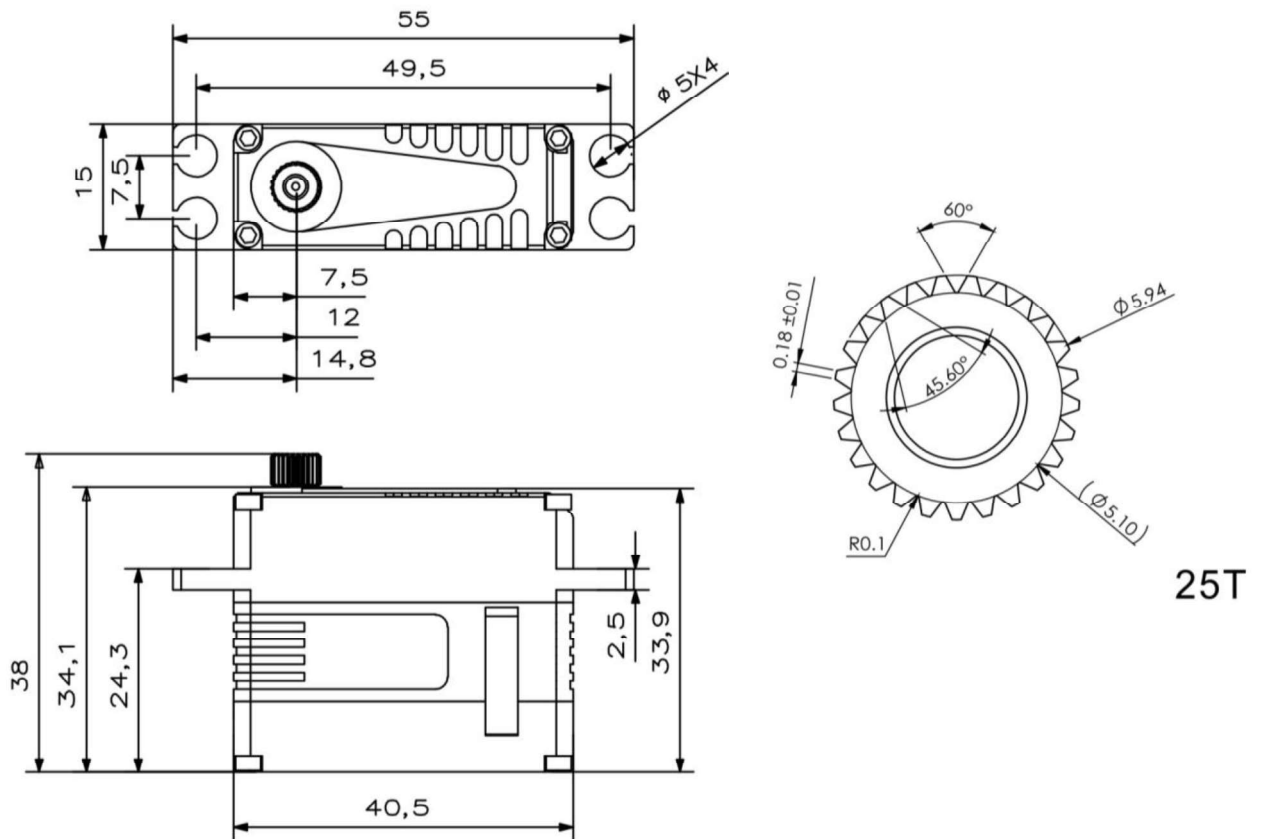


A15-2212 V8.0 with Soft Start

Technical Specification

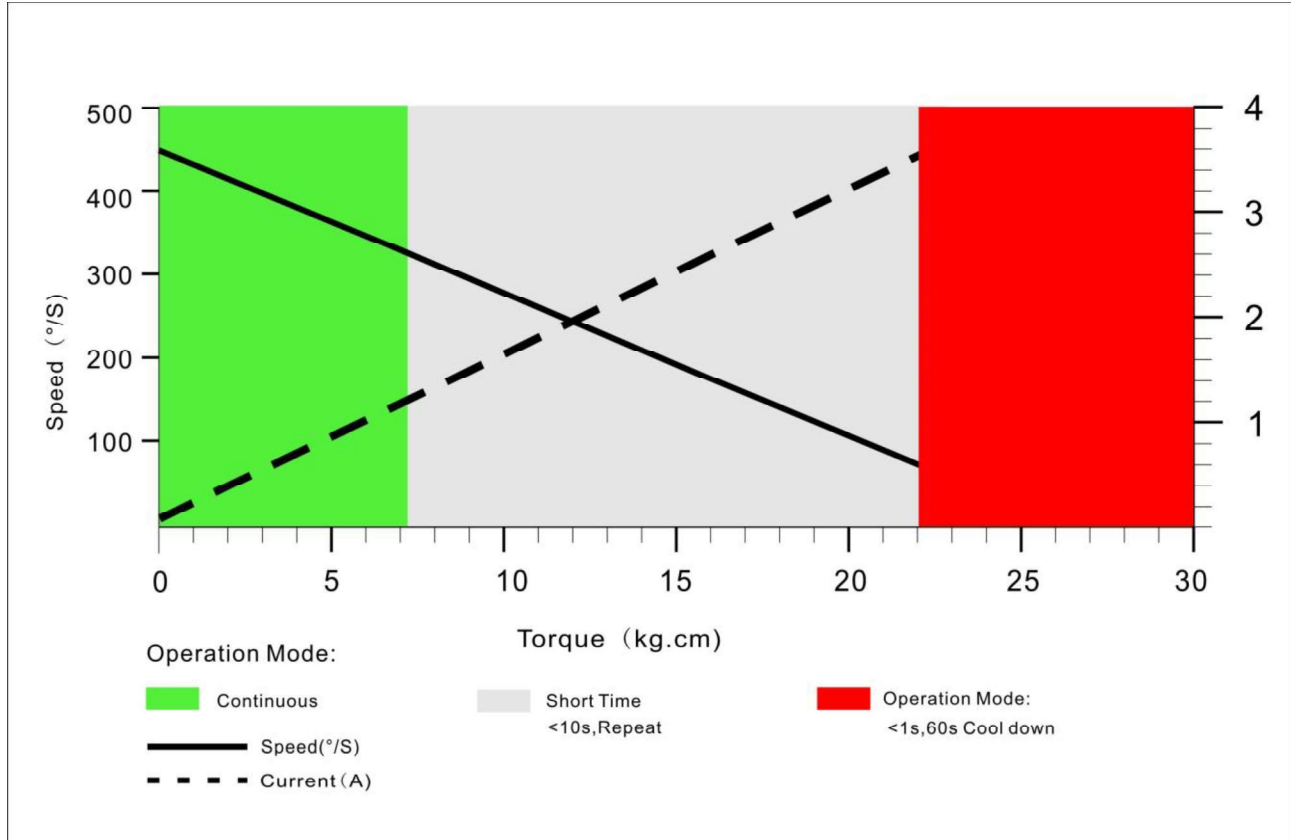


Operating Data

A15-2212	
Operation Voltage(rated)	DC7.4V
Operation Voltage Range	DC6.0V-8.4V
Torque	18Kg.cm@6.0V
	22Kg.cm@7.4V
	25Kg.cm@8.4V
Speed	0.15sec/60°@6.0V
	0.12sec /60°@7.4V
	0.11sec /60°@8.4V
Travel Angle	± 50° when 1000-2000us
Operating Temperature Range	-10°C……+65°C

Performance

A15-2212 @ 7.4V



PWM Command Signal

PWM	A15-2212
Signal Voltage	TTL-Level: HIGH:min.3.3V,max.5.0V TTL-Level: Low:min.0.0V,max.1.5V
Pulse Lengths	900-2100us
Pulse Lengths for Position -50° /center/+50°	1000us/1500us/2000us
Resolution	<=2us

Materials and protective features

Case Material	Aluminum Alloy
Motor Type	Coreless
Gear Material	Hardened Steel
Position Sensor	Potentionmeter
Position Feedback	Optional (PWM signal, 305Hz,5mA)
Connecting Cable	22AWG

Dimensions

Case Dimensions	40.5*15*34mm
Weight	52g